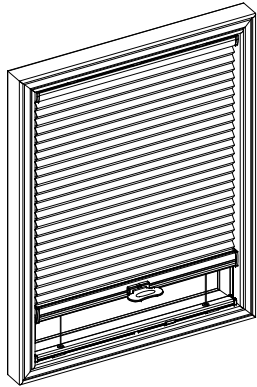


Installation Instructions

Honeycomb Shade

SmartFit for Sloped Windows with Frame



Getting Started

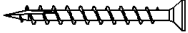


Remove the shade & frame from the package. Save the packaging until the shade & frame are installed and working to your satisfaction.

Recommended Tools

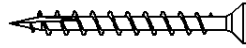
- Power drill and drill bit
- Measuring tape
- Screwdriver
- Level
- Pencil



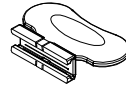
You will need to use the following fasteners for your particular mounting surfaces:

Surface	Fastener
Wood	2 1/2" Screw 
Drywall/Plaster	Wall Anchors, Expansion Bolts (Not Provide) 
Metal	Sheet Metal Screws (Not Provide) 

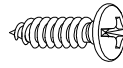
Check Hardware



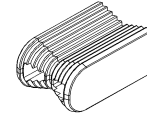
2 1/2" Screw



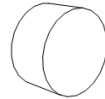
Handle



1/2" Screw



Hoffman Key



Wood Plug (Optional for IB)

Hardware Standard Quantity

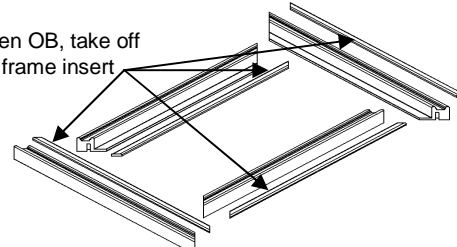
Shade width (X)	X < 31 3/4"	31 3/4" ≤ X < 45 9/16"	45 9/16" ≤ X ≤ 59"
H/R Bracket	2	3	4
B/R Bracket	3	3	4
Handle	1		
Regulator	1		
1/2" Screw (for bracket)	5	6	8
2 1/2" Screw (default for OB, optional for IB)	Frame screw hole qty		
Hoffman Key	4		
Wood plug (optional for IB)	Frame screw hole qty		

Step 1. Assemble the Frame

When OB, take off frame insert from the frame first. No need to take off frame insert for IB.

And then assemble the frame together with Hoffman key at the back of the frame.

When OB, take off the frame insert

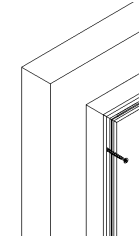


Use Hoffman Key to assemble the frame

Step 2. Install the Frame

Outside mount

Place the shade in desired position, and fix the left-side frame and right-side frame with one 2 1/2" screw respectively.



And then adjust the frame to make sure the frame is square and the diagonal line is in the same length.

Secure the rest screws after adjusting the frame to square.

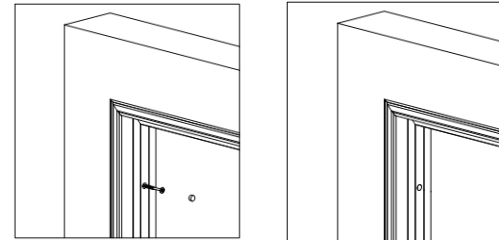
After all screws are secured, re-attach the frame insert to the frame.

Inside Mount (when pre-drill option is selected)

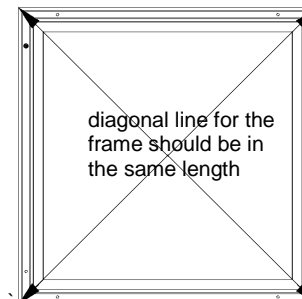
Place the shade in desired position, and fix the left-side frame and right-side frame with one 2 1/2" screw respectively.

Then adjust the frame to make sure the frame is square and the diagonal line is in the same length.

Secure the rest screws after adjusting the frame to square. And attach the wood plus into each screw hole.



Note: For IB, pre-drill frame for easy installation is optional. Mounting screws & wood plugs will be supplied when pre-drill option is selected.

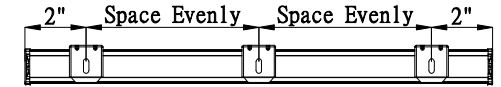


diagonal line for the frame should be in the same length

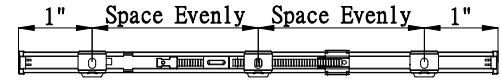
Step 3. Install the Shade

• Bracket Installation

Top Rail:



Bottom Rail:



The distance between top rail bracket screw hole center to the front of the frame should be at least 9/16", and 2" from the wall.

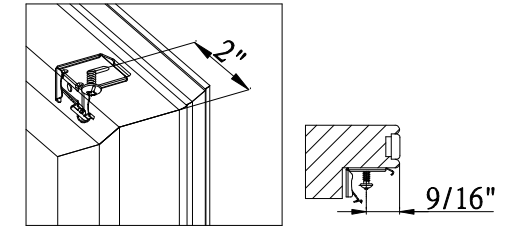
As for bottom rail, min. of 1/2" from bracket screw hole center to the front of the frame and 1" from the wall.

Mount brackets with 1/2" screws. Aligned horizontally. Use wall anchors for drywall or plaster wall.

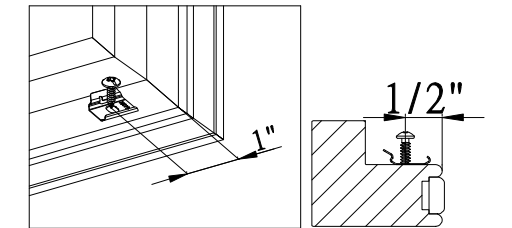


Do not over tighten the screw.

Make sure mounting holes on the frame are not in obstructive position with installation bracket.



(Top)

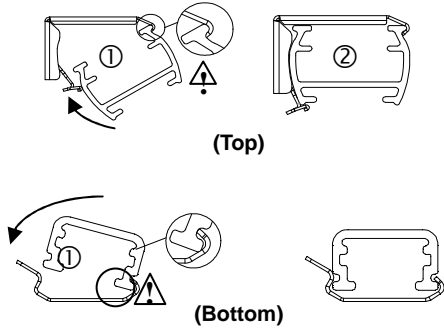


(Bottom)

• Install the Shade

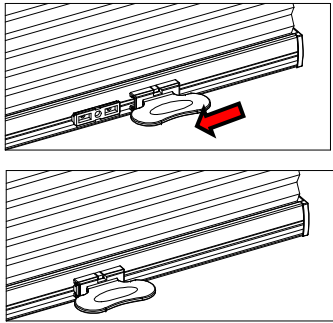
- Position the shade so that the front is facing you.
- Insert the rail with an angle facing the window; hook from the bracket front and push upward to snap it in.

- ⚠ For proper installation, start with attaching the front rail to the bracket



Handle Installation

Slide the handle onto the plastic piece pre-attached to the rails.

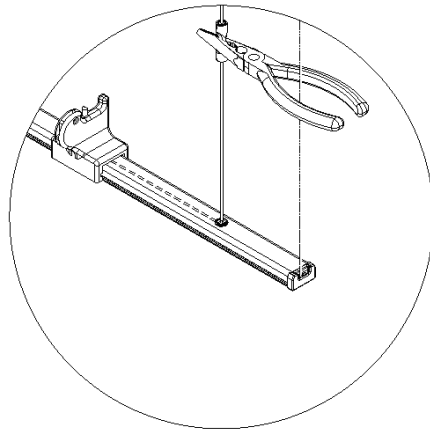
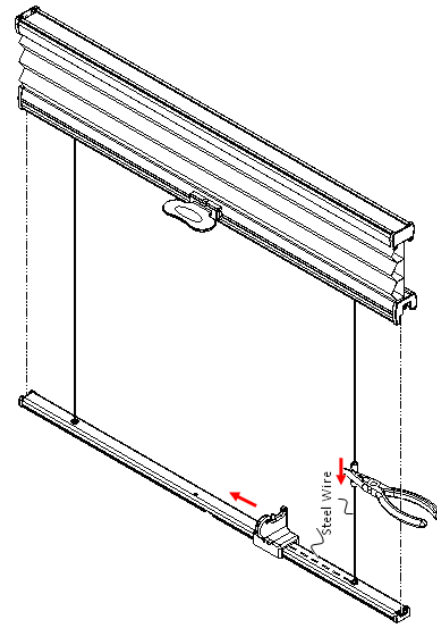
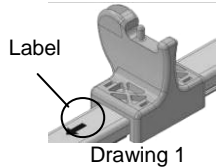


Adjust the Steel Wire

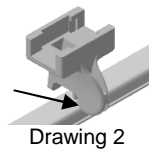
After the installation, tighten the steel wire by sliding the regulator towards the direction as shown on label in Drawing 1.

For easier tightening the steel wire, it is suggested to use a pair of pliers to pull the steel wire towards the bottom rail, and then adjust the regulator pin to tighten the steel wire.

- ⚠ Put a cloth between the pliers and steel wire in case the steel wire breaks.



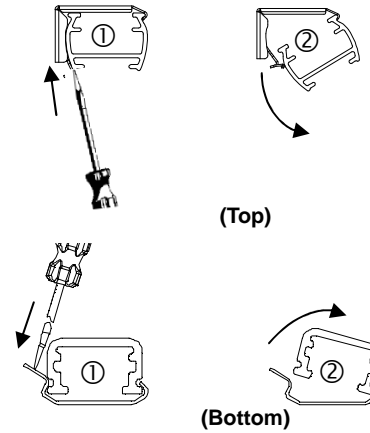
To loosen the steel wire, place the regulator pin on the bottom rail and press down-as shown in Drawing 2.



For child safety, please check and ensure that there are no loose cords after the shade is completely installed.

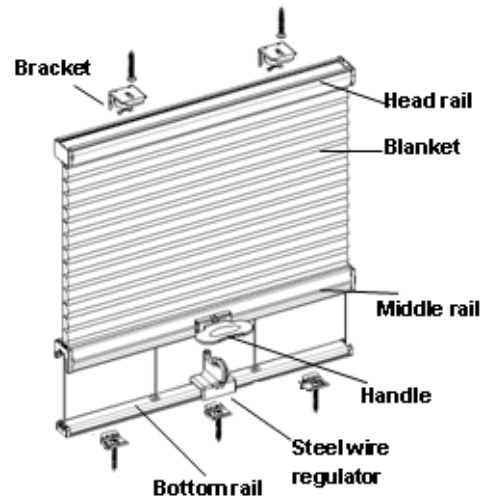
Remove the Shade

Fully raise the shade. Insert screwdriver into the gap between the back of the rail and the bracket. Gently maneuver the screwdriver toward yourself to pry the bracket.



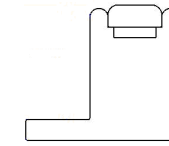
Cleaning

Routine cleaning will help maintain the beauty of your shade. The shade can be cleaned by using a soft brush, vacuumed with a low suction hand-held vacuum, cleaned ultrasonically (specify that a mild solution must be used and that the head rail should never be immersed in liquid), or dampen a clean cloth with a warm water and mild detergent solution to dab the spot until it's gone (do not rub!).

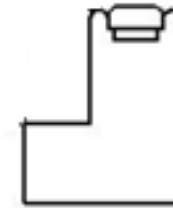


Frame: the installation way is the same.

Standard: Vintage L Frame with valance insert (0.2" light block)



Option: Vintage L Frame with valance insert (0.75" light block)



Option: Hang strip

