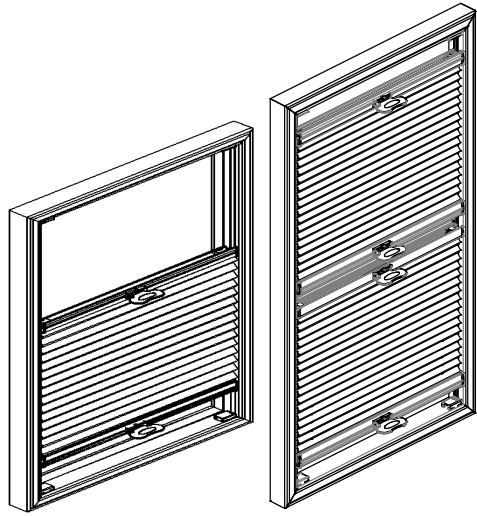


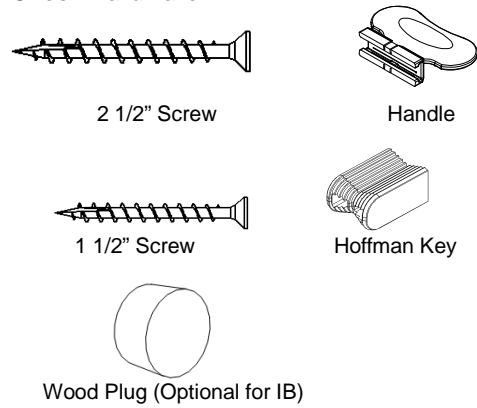
N300515-2  
65101-11743-B

**Installation Instructions**  
Honeycomb Shade  
**SmartFit™ with frame**  
**SmartFit™ Day & Night with frame**



SmartFit™ with frame      SmartFit™ Day & Night with frame

**Check Hardware**



**Hardware Standard Quantity**

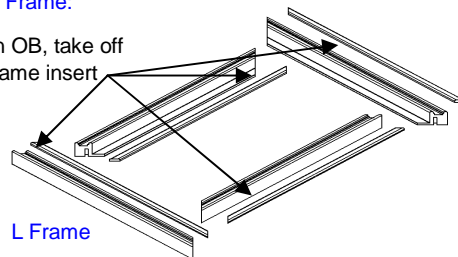
Order Width (X)	X ≤ 50"
Handle	2 (SmartFit) 4 (SmartFit Day & Night)
1 1/2" Screw (for L frame with 0.2" light block and hang strip, OB)	Frame screw hole qty
2 1/2" Screw (for L frame with 0.75" light block & all the Deco Frames, OB; for all the L Frames, Hang strip & all the Z Frames, IB)	Frame screw hole qty
Hoffman Key	4
Wood Plug (Optional for IB)	Frame screw hole qty

**Step 1. Assemble the Frame**

When OB, take off frame insert from the frame first, No need to take off frame insert for IB. And then assemble the frame together with Hoffman key at the back of the frame.  
For frame with T-post, assemble the frames together first, and then connect the T-post with frame before installing the frame on window opening.

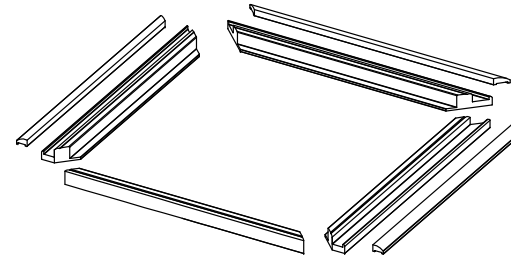
**4 Sides Frame:**

When OB, take off the frame insert



L Frame

**3 Sides Frame + Sill Plate (optional for Deco Frames & Z Frames):**

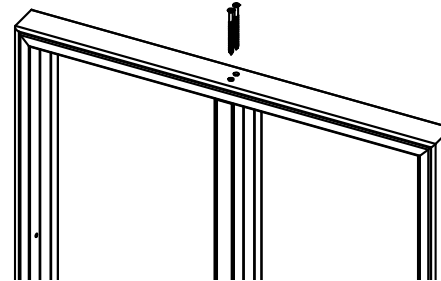


Deco Frame

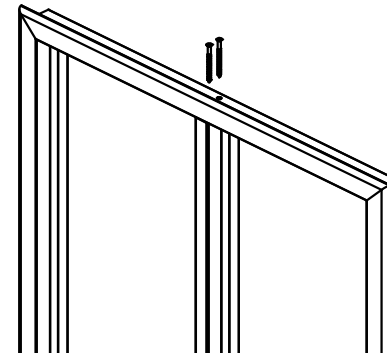
Use Hoffman Key to assemble the frame

**Frame with T-Post (optional for all Frames, except Hang Strip IB)**

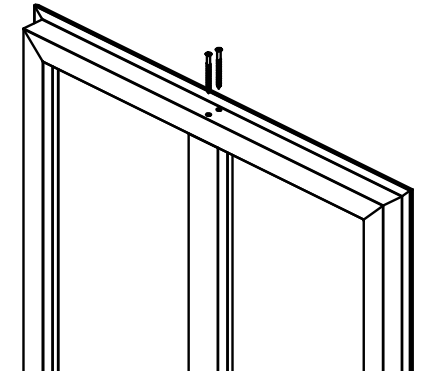
**L Frame with T-Post:**



**Z Frame with T-Post:**

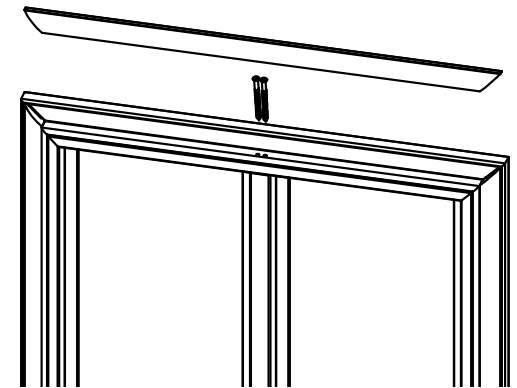


Front View



Back View

**Deco Frame with T-Post:**



**Getting Started**

Remove the shade & frame from the package. Save the packaging until the shade & frame are installed and working to your satisfaction.

**Recommended Tools**

- Power drill and drill bit
- Measuring tape
- Screwdriver
- Level
- Pencil



You will need to use the following fasteners for your particular mounting surfaces:

Surface	Fastener
Wood	1 1/2" Screw 2 1/2" Screw
Drywall/Plaster	Wall Anchors, Expansion Bolts (Not Provide)
Metal	Sheet Metal Screws (Not Provide)

**Step 2. Install the Frame**

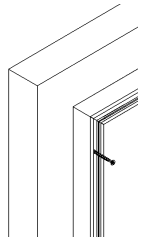
**Outside mount**

Place the shade in desired position, and fix the left-side frame and right-side frame with one 1 1/2" or 2 1/2" screw respectively.

And then adjust the frame to make sure the frame is square and the diagonal line is in the same length.

Secure the rest screws after adjusting the frame to square.

After all screws are secured, re-attach the frame insert to the frame.

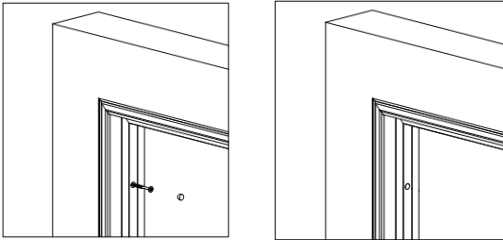


**Inside Mount (when pre-drill option is selected)**

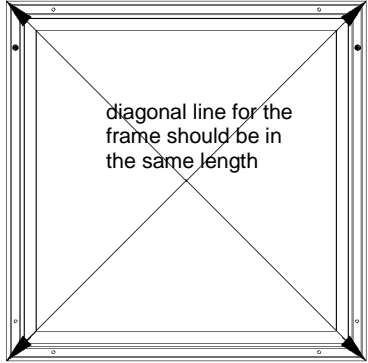
Place the shade in desired position, and fix the left-side frame and right-side frame with one 2 1/2" screw respectively.

Then adjust the frame to make sure the frame is square and the diagonal line is in the same length.

Secure the rest screws after adjusting the frame to square. And attach the wood plus into each screw hole.

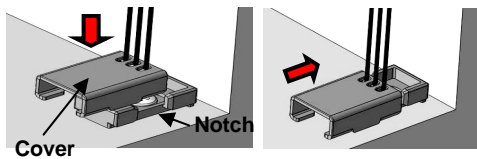


**Note: Mounting screws & wood plugs will be supplied when pre-drill option is selected.**



**Step 3. Install the Shade**

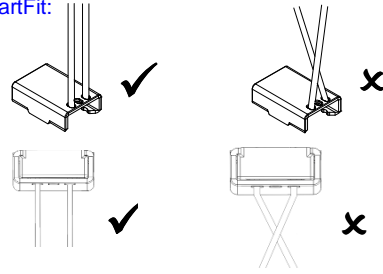
Install the Cord Equalizer Housing Cover onto Cord Equalizer Housing Base which is pre-installed on the frame, by pushing down the Cover from top of the notch then slide to the side to match the Base. Make sure that cords are nice, tight and not tangled.



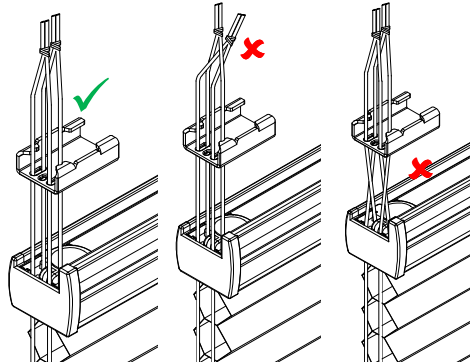
For child safety, please check and ensure that there are no loose cords after the shade is completely installed.

Please also make sure that cords are nice and tight and not tangled.

**For SmartFit:**

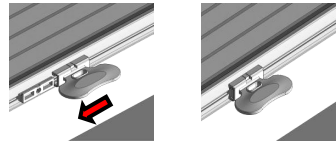


**For SmartFit Day & Night:**



**Step 4. Handle Installation**

Slide the handle onto the plastic piece pre-attached to the rails.

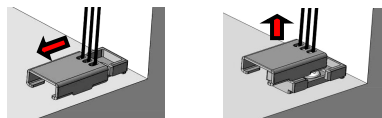


**Adjust the Shade**

After the shade is completely installed, use the handle to raise the shade up to the top and adjust the shade to level. Then you may operate the shade to any desired position.

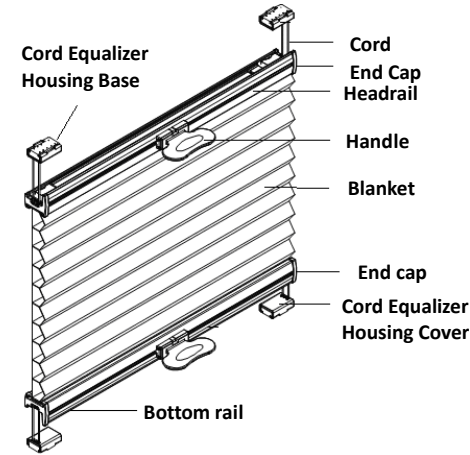
**Remove the Shade**

Operate the shade to the middle from top and bottom. Remove the Cord Equalizer Housing Cover from the Cord Equalizer Housing Base.



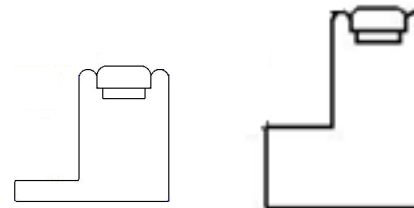
**Cleaning Instructions**

Routine cleaning will help maintain the beauty of your shade. The shade can be cleaned by using a soft brush, vacuumed with a low suction hand-held vacuum, cleaned ultrasonically (specify that a mild solution must be used and that the head rail should never be immersed in liquid), or dampen a clean cloth with a warm water and mild detergent solution to dab the spot until it's gone (do not rub!).



**For all frames: the installation way is the same.**

**Vintage L Frame with valance insert**



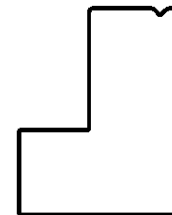
0.2" light block

0.75" light block

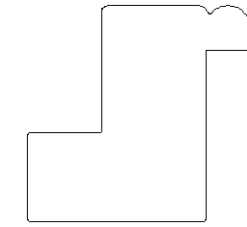
**Hang strip**



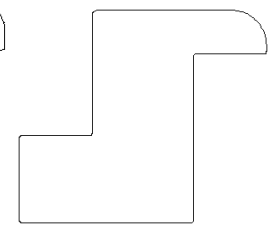
**Beaded L frame**



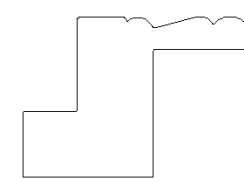
**1.25" Beaded Z Frame**



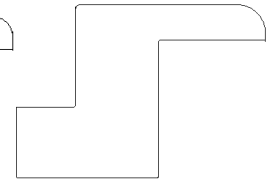
**1.5" Bullnose Z Frame**



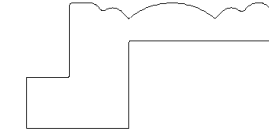
**2" Belair Z frame**



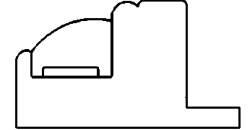
**2" Bullnose Z Frame**



**3" Crown Z Frame**



**2" Camber Deco Frame**



**2" Classic Deco Frame**



**3" Ridge Deco Frame**

